

TYPE CCU/DV2

TYPICAL APPLICATIONS

- The UltraSecure universal gas cylinder clamp is designed to enhance security and reduce the risk of unauthorised removal of hazardous chlorine and sulphur dioxide cylinder gas bottles including BOC & INEOS.
- MEDIUM RISK Yellow LPCB Level 2 – Rural/urban locations with low/medium risk of vandalism.

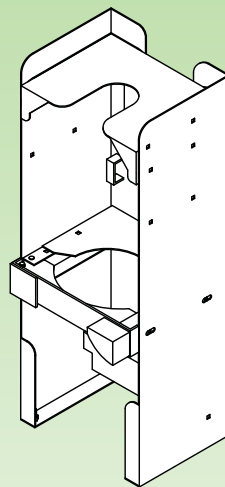
STANDARD PRODUCT FEATURES

- Universal gas cylinder clamp has been tested to Loss Prevention Certification Board LPS 1175 Issue 6, Security Rating 2, Cert. No. 450 e/01 when fitted with LPCB approved padlocks.
- Removable locking arm hinged right as standard.
- Unit has the facility to be fixed at either the base or back of unit allowing fixing into floor or wall and or bolted together side by side or back to back.
- Manufactured from minimum 3 mm steel plate.
- Padlocking - single point locking with shrouded hasp and staple.

PADLOCK ENTRY ULTRASECURE SINGLE CYLINDER CLAMP UNIT



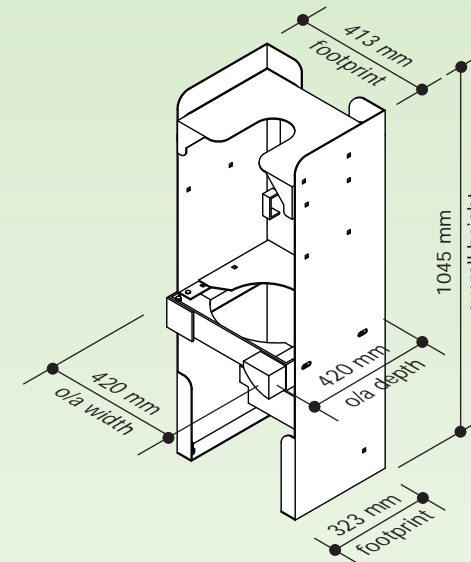
UltraSecure Cylinder Clamps
Certified to LPS 1175: Issue 6
Security Rating 2
Certificate No. 450e/01



Note: Illustration shows left hand hinged (HL) locking arm. Unit supplied right hand hinged (HR) as standard.



SECTION/PLAN DETAILS



Note: For connecting clamp units in-line or back to back, individual (K11) fitting kits are required.



CONSULTANCY → SITE SURVEY → DESIGN →
MANUFACTURE → INSTALLATION →
MAINTENANCE

CYLINDER SIZE CHART

BOTTLE TYPE / SIZE		GAS CONTAINED IN BOTTLE	CLAMP REF.	CLAMP CASE CONVERSION KITS	
BOC Kgs (full)	INEOS Kgs (full)			(For converting from one K Ref. to another)	KIT REF. REQUIRED
	33	Chlorine	K1	K1 - to - K2	K13
39 (E3)		Chlorine	K1	K1 - to - K3	K14
40 (E3)		Sulphur Dioxide	K1		
59 (BD)		Ammonia	K2	K2 - to - K1	K15
65 (BD)		Sulphur Dioxide	K2	K2 - to - K3	K14
	71	Chlorine	K3	K3 - to - K1	K16
101 (BKA)		Chlorine	K3	K3 - to - K2	K17

For connecting clamps in multiple (in-line/back to back) kit Ref. K11 is required.

Technocover's universal gas cylinder security clamps are convertible. For example, INEOS 33 Chlorine (K1) to BOC 101 Chlorine (K3). A K14 conversion kit is required. Please contact our Technical Advisory Service for further details.

PRODUCT ACCESSORIES AND OPTIONS

Finishes

Hot dip galvanised after manufacture to BS EN ISO 1461 as standard. To discuss enhanced corrosion resistance contact our Technical Advisory Service.

M3 - Additional external paint finish (specify required RAL colour/number).

M8 - Etch prime for painting by others.

M14 - Powder coating (specify required RAL colour/number).

Hinge/ Orientation

HL - Locking arm hinged left (right as standard).

Various

D1 - Service I.D. (to customers requirements) specify details.

S&F - Supply and fit.

Note: To conform to Security Level 2 a suitable approved padlock must be fitted. Please contact our Technical Advisory Service for further information on options available.

TECHNICAL DETAILS

Units are manufactured from minimum 3 mm thick structural steel plate hot dip galvanised after manufacture to BS EN ISO 1461 as standard.

For details of annual average atmospheric corrosion of zinc in the UK and Republic of Ireland, please refer to the Galvanizers Association 'Check Your Corrosion Rate' map at www.galvanizing.org.uk

Paint finish (M3) or powder coating (M14) can be specified for enhanced aesthetic appearance.

Additional hazardous gas cylinder clamp system accessories are available; please contact our Technical Advisory Service for further details.

DELIVERY

Delivery is generally site direct, supply only. For supply and fit by Technocover specify S&F. Technocover site surveying staff and certified fitting teams operate throughout Europe.

HOW TO ORDER/SPECIFY

Progressional example for specifying:

- Product type = CCU/DV2 padlocking type unit.
- Gas cylinder to be used BOC chlorine bottle (E3) = K1.
- Locking arm hinged left = HL.

Combined these give the full specifying code of **CCU/DV2/K1/HL**.

For further information contact Technical Support at techadvice@technocover.co.uk or Tel: 01938 555511

