

Technical Specification Sheet



Code JSS519A

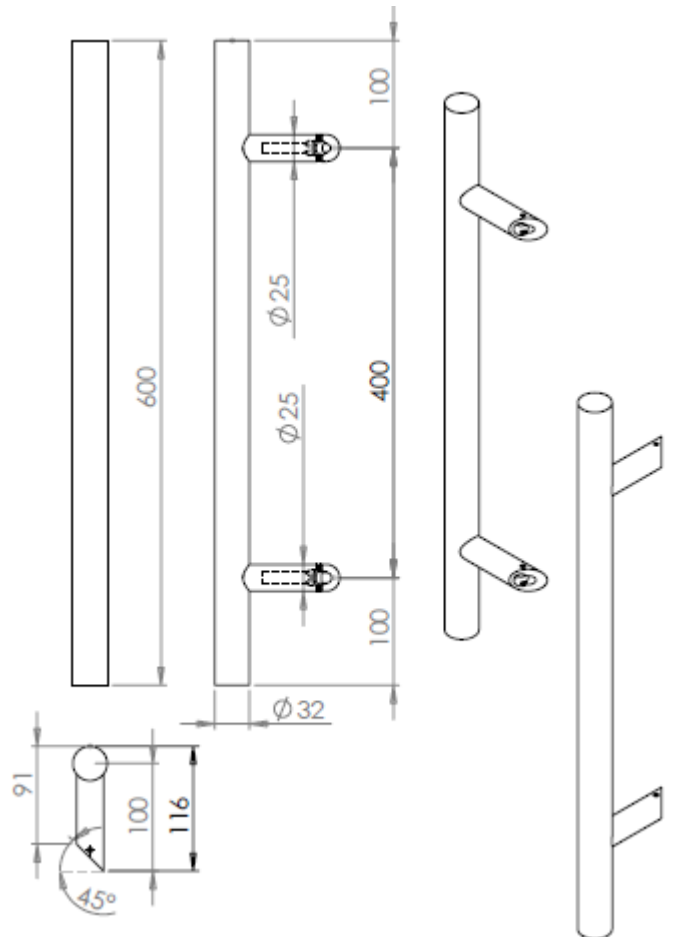
Finishes Satin

Product specification

- 304g Mitred pull handle
- Bolt through application
- Bolts to suit doors 44-54mm
- Length 600mm
- Diameter 32mm Dia
- Centres 400mm
- Pillars 25mm dia
- Stainless steel
- Back to back application you require two

FRELAN

HARDWARE



FRELAN
HARDWARE

For more information please contact us today:

Call: 020 8648 1500

Fax: 020 8648 1626

Email: sales@frelan.co.uk

Web: www.frelan.co.uk

**Frelan Hardware Ltd, Unit 10 Mitcham Industrial Estate
Streatham Road, Mitcham, Surrey CR4 2AP**